

| | | |
|--------------|-------------|----------|
| Customer | Date | 1/6/2021 |
| Contact | Project | |
| Phone number | Project no. | |
| Email | | |

5HM10S15M5HVBE

104605831

Operating data

| | | | |
|---------------------------|---------------------|---------------------------|--------------------------|
| Pump type | Single head pump | Fluid | Water |
| No. of pumps / Reserve | 1 / 0 | Operating temperature t A | °C 4 |
| Nominal flow | m ³ /h 0 | pH-value at t A | 7 |
| Nominal head | m 0 | Density at t A | kg/m ³ 1000 |
| Static head | m 0 | Kin. viscosity at t A | mm ² /s 1.569 |
| Inlet pressure | kPa 0 | Vapor pressure at t A | kPa 100 |
| Environmental temperature | °C 20 | Solids | 0 |
| Available system NPSH | m 0 | Altitude | m 0 |

Pump data

| | | | |
|-----------------------|----------------|------------------|-----------------------|
| Make | Lowara | Nominal | m ³ /h () |
| Speed | rpm 2900 | Flow Max- | m ³ /h 8.5 |
| Number of stages | 10 | Min- | m ³ /h |
| Max. casing pressure | kPa | Nominal | m |
| Max. working pressure | kPa 733.1 | Head at Qmax | m 30 |
| Head H(Q=0) | m 75 | at Qmin | m 74.7 |
| Weight | kg 18 | Shaft power | kW () |
| Impeller R | Max. mm 73 | Max. shaft power | kW 1.3 |
| | designed mm 73 | Efficiency | % |
| | Min. mm 73 | NPSH 3% | m |

Pump Materials

| | |
|--------------------------|----------------------------|
| Head | Stainless steel / AISI 304 |
| Impeller | Stainless steel / AISI 304 |
| Diffuser | Stainless steel / AISI 304 |
| Outer sleeve | Stainless steel / AISI 304 |
| Shaft | Stainless steel / AISI 316 |
| Adapter | Aluminium |
| Ring with foot | Aluminium |
| SEAL HOUSING | Stainless steel / AISI 304 |
| Shaft sleeve and bushing | Tungsten carbide |
| Fill / drain plugs | Stainless steel / AISI 316 |
| Tie rods | Stainless steel / AISI 431 |
| Wear Ring | Technopolymer |

Shaft Seal

| | |
|----------------------|---------------------------|
| e-HM Mechanical seal | Roten |
| e-HM - Roten | |
| 1 - Rotating part | Aluminium oxide (Ceramic) |
| 2 - Stationary part | Carbon, resin-impregnated |
| 3 - Elastomers | EPDM |
| 4 - Springs | AISI 316 |
| 5 - Other components | AISI 316 |

Motor data

| | | | | | | | |
|------------------|-------------------------------|----------------------|-------|--------|----------|------------------|----------|
| Manufacturer | Lowara | Electric voltage | 230 V | Speed | 2810 rpm | Insulation class | 155 (F) |
| Specific design | Single phase surface motor | Frame size | 80 | Colour | | | RAL 5010 |
| Type | SM80HM../1155 [5H] = 220-240V | | | | | | |
| Rated power | 1.5 kW | Degree of protection | IP55 | | | | |
| Electric current | 9.21 A | | | | | | |

Remarks:

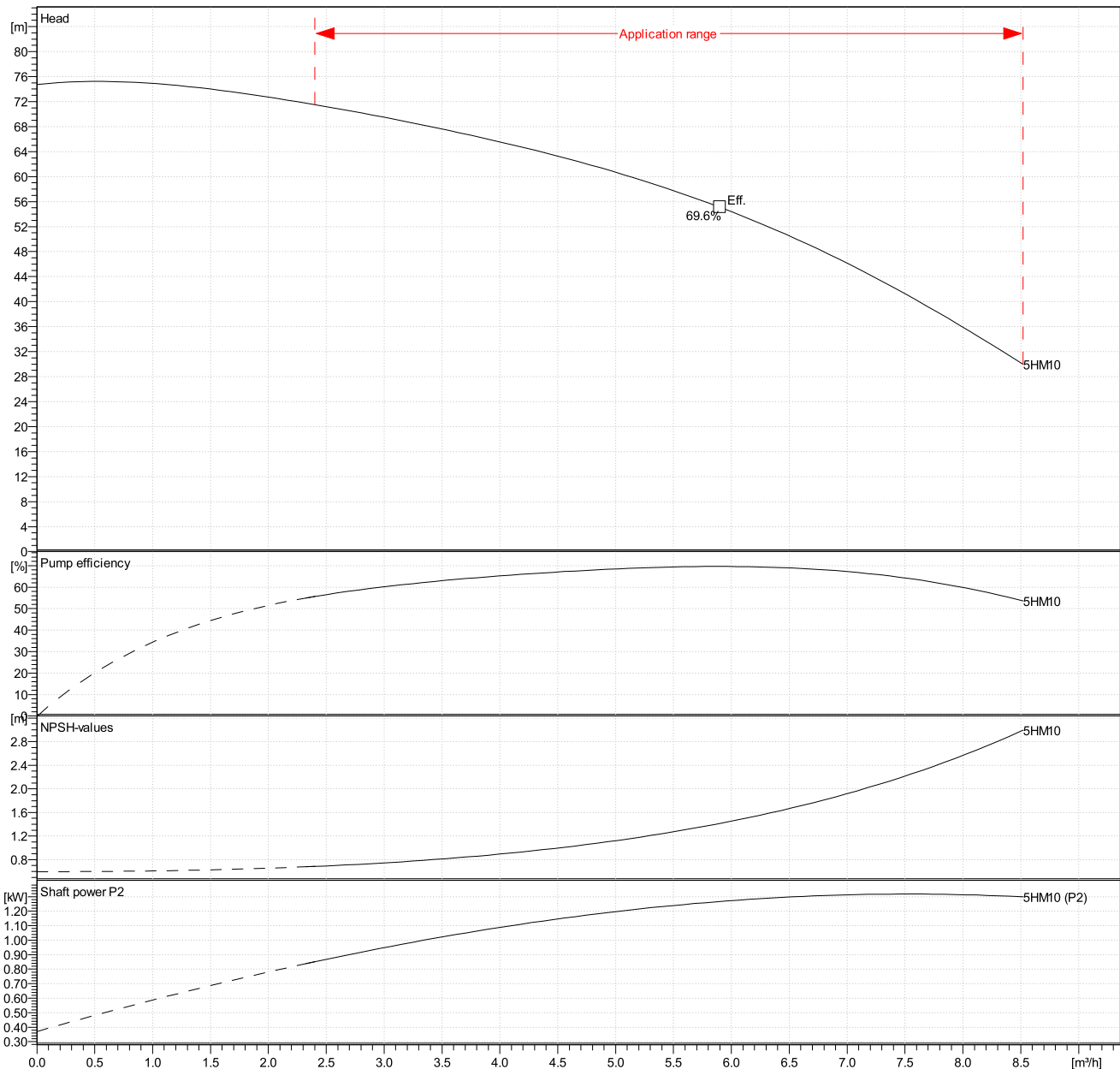
| | | |
|--------------|-------------|----------|
| Customer | Date | 1/6/2021 |
| Contact | Project | |
| Phone number | Project no. | |
| Email | | |

5HM10S15M5HVBE
104605831

Hydraulic data

| Operating Data Specification | | Hydraulic data (duty point) | | Impeller design | |
|------------------------------|---------------------|-----------------------------|--|-----------------|----------|
| Flow | 0 m ³ /h | Flow | | Impeller R | 73 mm |
| Head | 0 m | Head | | Frequency | 50 Hz |
| Static head | 0 m | | | Speed | 2900 rpm |

Power data referred to:
Water [100%] ; 4°C; 1000kg/m³; 1.57mm²/s
Performance according to ISO 9906:2012 – Grade 3B

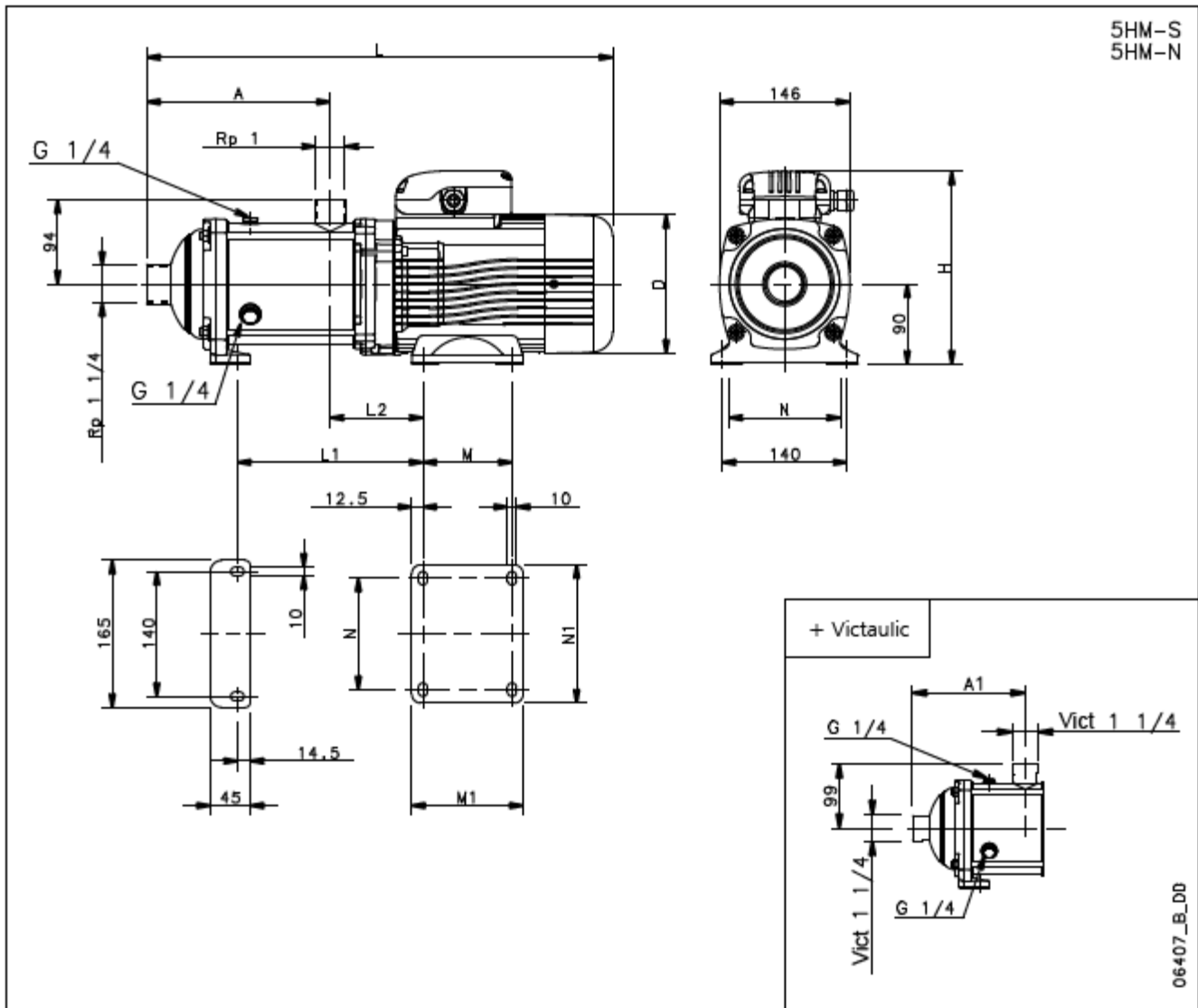


| | | |
|--------------|-------------|----------|
| Customer | Date | 1/6/2021 |
| Contact | Project | |
| Phone number | Project no. | |
| Email | | |

5HM10S15M5HVBE

104605831

Drawing



Dimensions mm

| | | | | | | | |
|----|-------|----|-----|--|--|--------|----|
| A | 258 | N | 125 | | | Weight | |
| A1 | 256.3 | N1 | 155 | | | 18 | kg |
| D | 155 | PN | 10 | | | | |
| H | 227 | | | | | | |
| L | 575 | | | | | | |
| L1 | 258 | | | | | | |
| L2 | 104 | | | | | | |
| M | 100 | | | | | | |
| M1 | 125 | | | | | | |