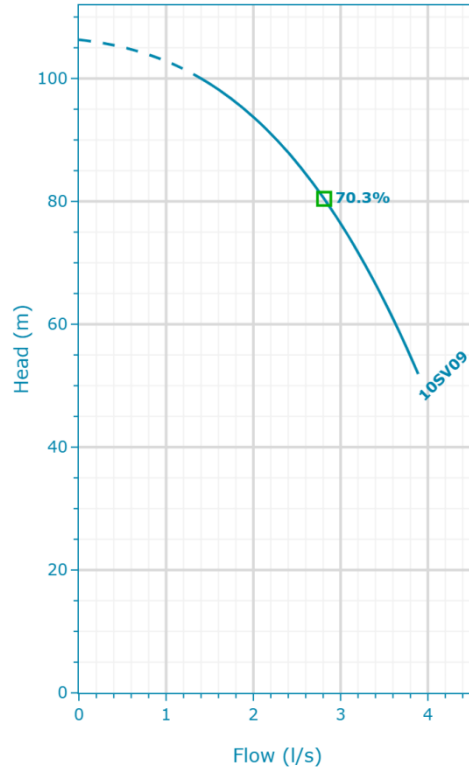


## 10SV09F040T/D | Configuration Summary



The Lowara e-SV vertical multistage pump is a highly reliable and technologically advanced multipurpose pump. It's capable of satisfying the needs of a wide variety of users and many different construction designs are available. The e-SV range feature models in eleven sizes with 1-3-5-10-15-22-33-46-66-92-125 m<sup>3</sup>/h nominal capacities.



### PUMP

Installation	Pump Size
Complete Pump	10SV

### MATERIALS

Pump Body Material	Impeller Material
Stainless Steel (AISI 304)	Stainless Steel (AISI 304)

### SEAL

Type of Seal	Rotating Face
Mechanical Seals	Silicon Carbide
Name	Stationary Face
Q1BEGG	Resin Impregnated Carbon
	Elastomers
	EPDM
	Springs
	AISI 316
	Metal Components
	AISI 316
	Min Temperature
	-30.0 °C
	Max Temperature
	120.0 °C

### STANDARD OPTIONS

PTC Sensor	Special Configuration
No	Please Select

### MOTOR

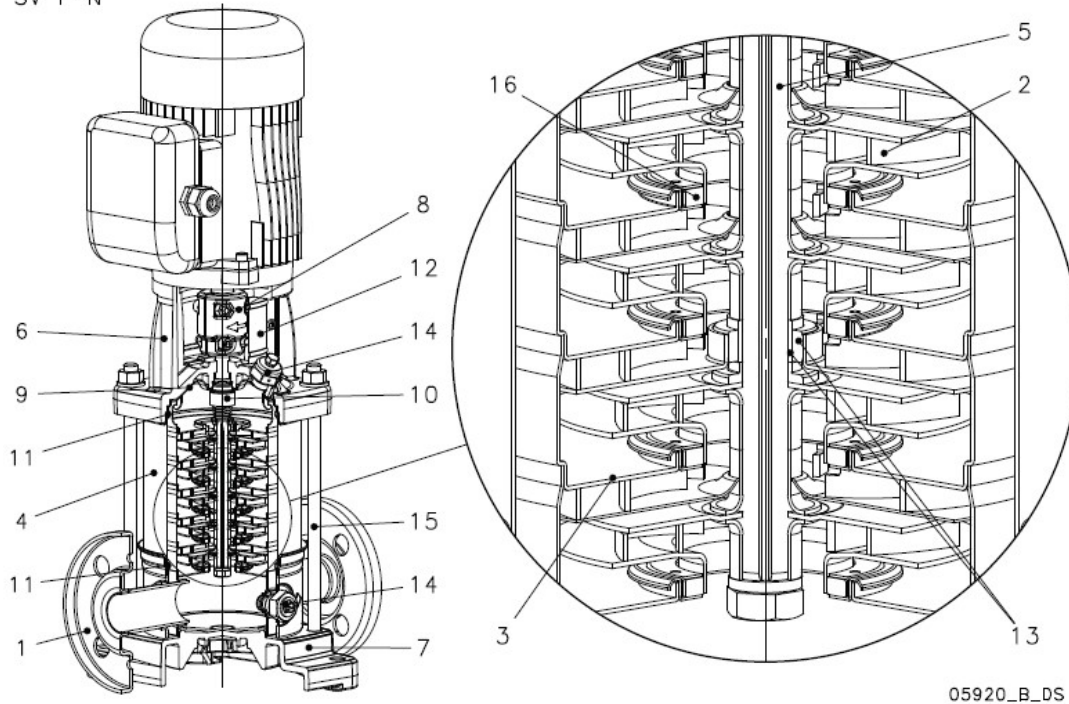
Vendor	Power
Lowara PLM	4 kW
Frequency (Hz)	Phase (~)
50	3
Poles	Voltage
2	380-415/660-690 V
Efficiency	Frame Size
IE3	112 M

### FLANGE

Flange  
[F] = Round Flanges (AISI 304)

**10SV09F040T/D** | Product Details

SV F-N



05920\_B\_DS

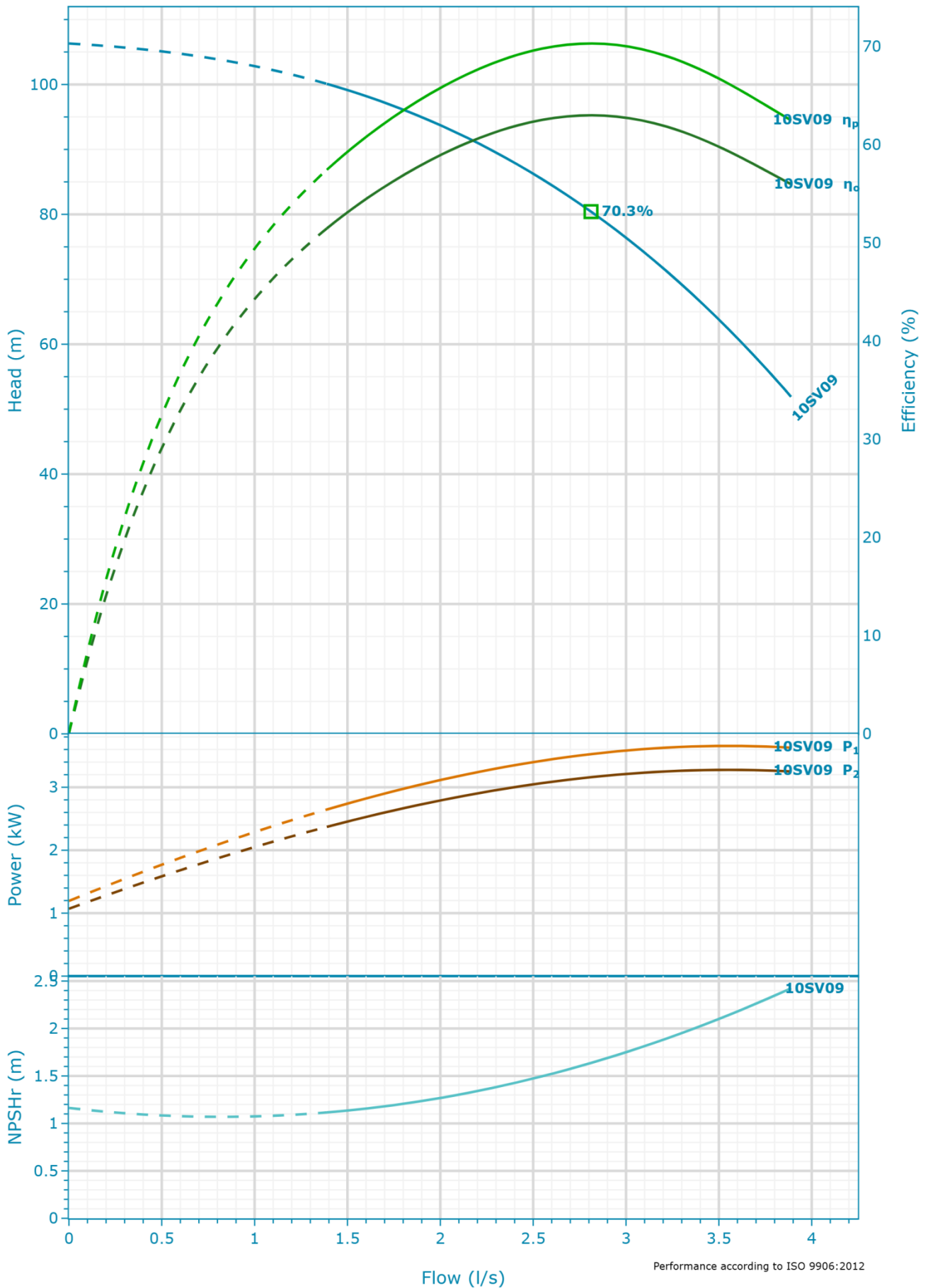
**Construction Materials**

<b>Pump body (1)</b> Stainless steel / AISI 304	<b>Shaft (5)</b> Stainless steel / AISI 304	<b>Seal housing (9)</b> Stainless steel / AISI 304	<b>Shaft sleeve and bushing (13)</b> Tungsten carbide
<b>Impeller (2)</b> Stainless steel / AISI 304	<b>Adapter (6)</b> Cast Iron / ASTM Class 35	<b>Mechanical seal (10)</b> See Seal section	<b>Fill / Drain plugs (14)</b> Stainless steel / AISI 304
<b>Diffuser (3)</b> Stainless steel / AISI 304	<b>Base (7)</b> Aluminium	<b>Elastomers (11)</b> See Seal section	<b>Tie rods (15)</b> Galvanized steel
<b>Outer sleeve (4)</b> Stainless steel / AISI 304	<b>Coupling (8)</b> Aluminium	<b>Coupling protection (12)</b> Stainless steel / AISI 304	<b>Wear ring (16)</b> Technopolymer PPS

**Motor**

<b>Motor Name</b> PLM 112R B14 4 kW	<b>Phase</b> 3	<b>IE Class</b> IE3	<b>Frame Size</b> 112 M
<b>Design</b> IM B14	<b>Rated power</b> 4 kW	<b>Enclosure</b> IP 55	<b>ICL</b> F
<b>Standard</b> IEC	<b>Service Factor</b> 1	<b>Efficiency (%)</b> 89.6	<b>Start Mode</b> Star-delta
<b>Shaft Diameter</b> 28 mm	<b>Voltage</b> 380-415/660-690 V	<b>cos phi</b> 0.85	<b>Motor Vendor</b> PLM
<b>L Shaft</b> 60 mm	<b>Speed</b> 2885.0 rpm	<b>Rated Current</b> 7.62-4.4 A	

### 10SV09F040T/D | Hydraulic Data & Performance Curve



**Selection**

Series	Operating Pumps
e-SV	1
Name	Standby Pumps
10SV09 2900rpm	No Standby Pump
Stages	
9	
Frequency	
50 Hz	
Impeller Diameters	
9x 96 mm	
Acceptance Grade	
Manufacturer's Standard	
System Type	
Single Pump	

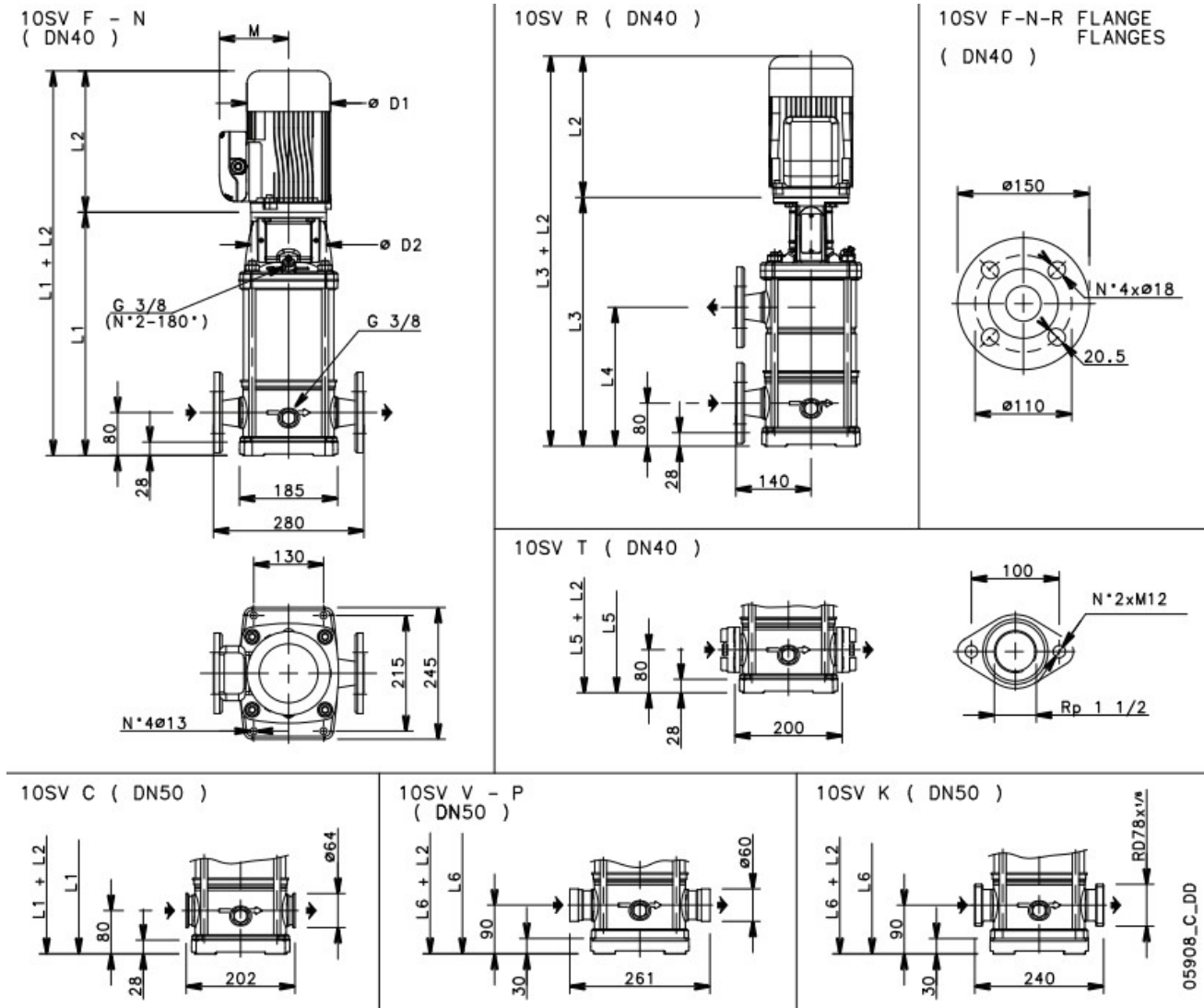
**Fluid and Operating Conditions**

Fluid Type	Density
Water	1,000 kg/m <sup>3</sup>
Fluid Temperature	Dynamic Viscosity
4 °C	0.002 Pa·s
Specific Gravity	Fluid Vapor Pressure
1	8.14 mbar
	Atmospheric Pressure
	1,013.53 mbar
	Elevation
	0 m
	Ambient Temperature
	20 °C
	NPSH Available
	10.27 m
	Submergence
	0 m

**Design Curve**

Rated Speed	BEP
2,900 RPM	70.3 %
Min Flow	BEP Flow
1.39 l/s	2.81 l/s
Max Flow	BEP Head
3.89 l/s	80.42 m
H@QMin	Max Operating Pressure
100.1 m	10,410.4 mbar
H@QMax	Max P2
51.91 m	3.28 kW

## 10SV09F040T/D | Dimensional Data & Drawing



Drawing is preliminary and is subject to change.

05908\_C\_DD

### Dimensions

D1	M
197 mm	154 mm
D2	PN
160 mm	16
L1	Weight (Pump Only)
601 mm	23.3 kg
L2	Total Weight
319 mm	49.7 kg