



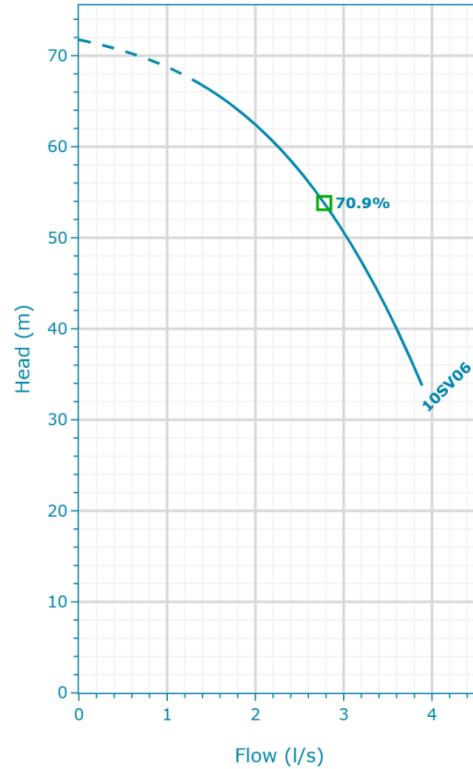
**10SV06F022T/E**

Created On: 11/26/25

## 10SV06F022T/E | Configuration Summary



The Lowara e-SV vertical multistage pump is a highly reliable and technologically advanced multipurpose pump. It's capable of satisfying the needs of a wide variety of users and many different construction designs are available. The e-SV range feature models in eleven sizes with 1-3-5-10-15-22-33-46-66-92-125 m<sup>3</sup>/h nominal capacities.



### PUMP

Installation	Pump Size
Complete Pump	10SV

### MATERIALS

Pump Body Material	Impeller Material
Stainless Steel (AISI 304)	Stainless Steel (AISI 304)

### SEAL

Type of Seal	Rotating Face
Mechanical Seals	Silicon Carbide
Name	Stationary Face
Q1BEGG	Resin Impregnated Carbon
	Elastomers
	EPDM
	Springs
	AISI 316
	Metal Components
	AISI 316
	Min Temperature
	-30.0 °C
	Max Temperature
	120.0 °C

### STANDARD OPTIONS

PTC Sensor	Special Configuration
No	Please Select

### MOTOR

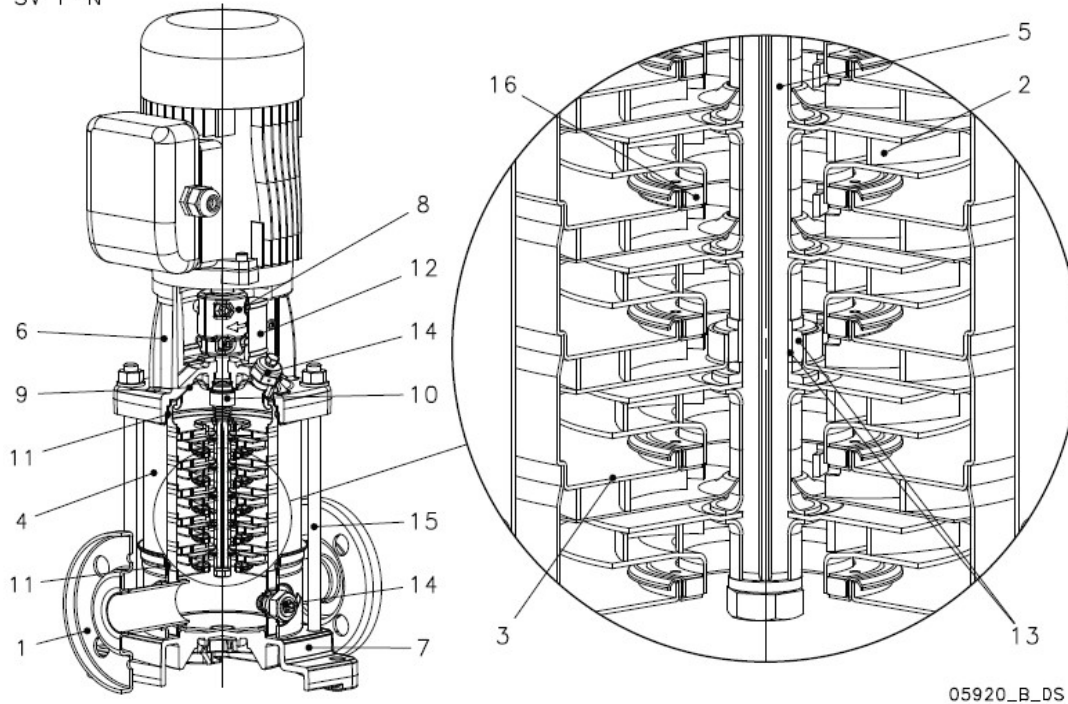
Vendor	Power
Lowara by Omega	2.2 kW
Frequency (Hz)	Phase (~)
50	3
Poles	Voltage
2	220-240/380-415 V
Efficiency	Frame Size
IE3	90 L

### FLANGE

Flange  
[F] = Round Flanges (AISI 304)

## 10SV06F022T/E | Product Details

SV F-N



05920\_B\_DS

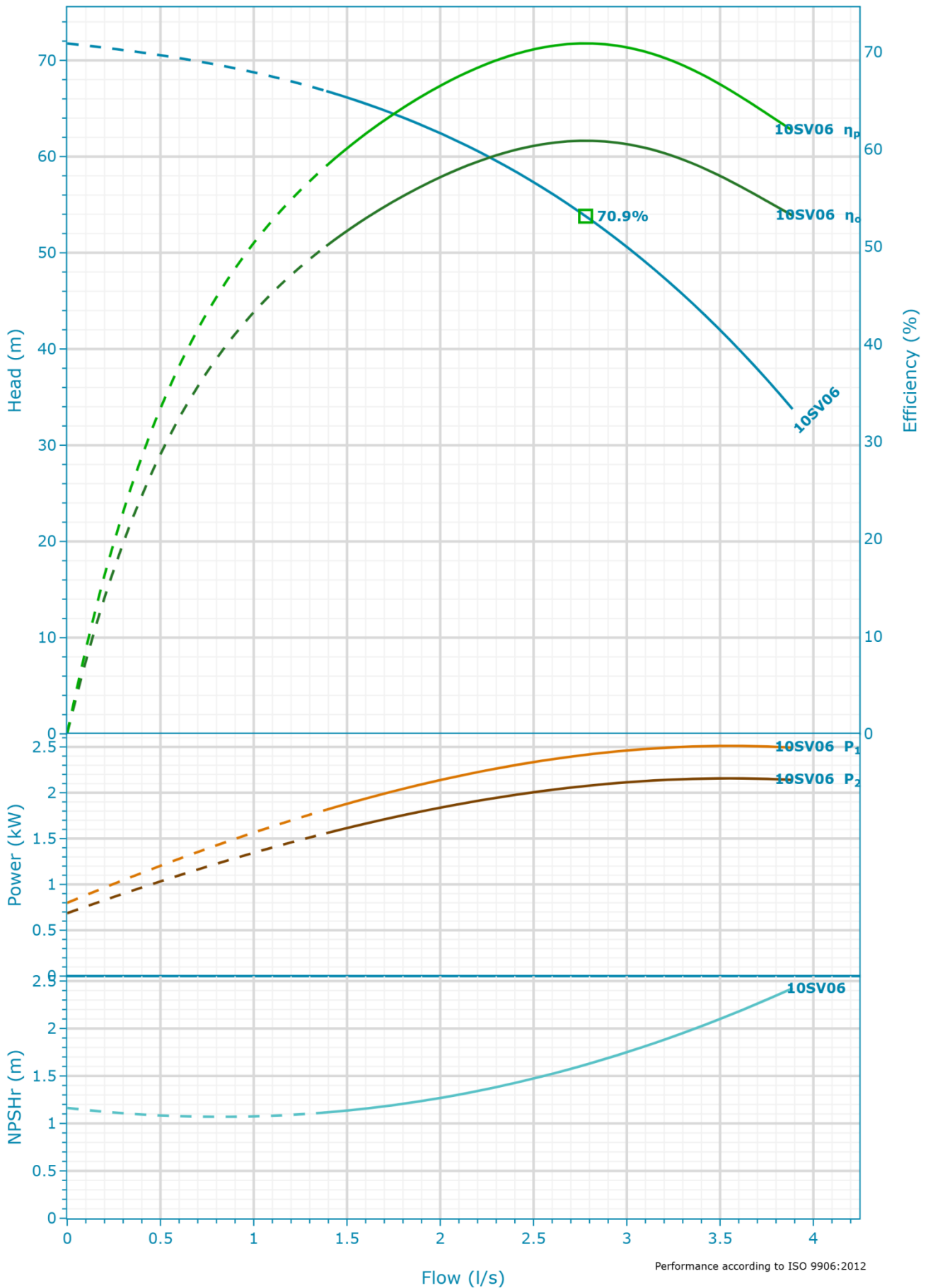
### Construction Materials

<b>Pump body (1)</b> Stainless steel / AISI 304	<b>Shaft (5)</b> Stainless steel / AISI 304	<b>Seal housing (9)</b> Stainless steel / AISI 304	<b>Shaft sleeve and bushing (13)</b> Tungsten carbide
<b>Impeller (2)</b> Stainless steel / AISI 304	<b>Adapter (6)</b> Cast Iron / ASTM Class 35	<b>Mechanical seal (10)</b> See Seal section	<b>Fill / Drain plugs (14)</b> Stainless steel / AISI 304
<b>Diffuser (3)</b> Stainless steel / AISI 304	<b>Base (7)</b> Aluminium	<b>Elastomers (11)</b> See Seal section	<b>Tie rods (15)</b> Galvanized steel
<b>Outer sleeve (4)</b> Stainless steel / AISI 304	<b>Coupling (8)</b> Aluminium	<b>Coupling protection (12)</b> Stainless steel / AISI 304	<b>Wear ring (16)</b> Technopolymer PPS

### Motor

<b>Motor Name</b> 3MAS 90 L B14 2.2 kW	<b>Phase</b> 3	<b>IE Class</b> IE3	<b>Frame Size</b> 90 L
<b>Design</b> IM B14	<b>Rated power</b> 2.2 kW	<b>Enclosure</b> IP 55	<b>ICL</b> F
<b>Standard</b> IEC	<b>Service Factor</b> 1	<b>Efficiency (%)</b> 85.9	<b>Start Mode</b> Star-delta
<b>Shaft Diameter</b> 24 mm	<b>Voltage</b> 220-240/380-415 V	<b>cos phi</b> 0.85	
<b>L Shaft</b> 50 mm	<b>Speed</b> 2875.0 rpm	<b>Rated Current</b> 7.56-4.38 A	

**10SV06F022T/E | Hydraulic Data & Performance Curve**



**Selection**

Series	Operating Pumps
e-SV	1
Name	Standby Pumps
10SV06 2900rpm	No Standby Pump
Stages	
6	
Frequency	
50 Hz	
Impeller Diameters	
6x 96 mm	
Acceptance Grade	
Manufacturer's Standard	
System Type	
Single Pump	

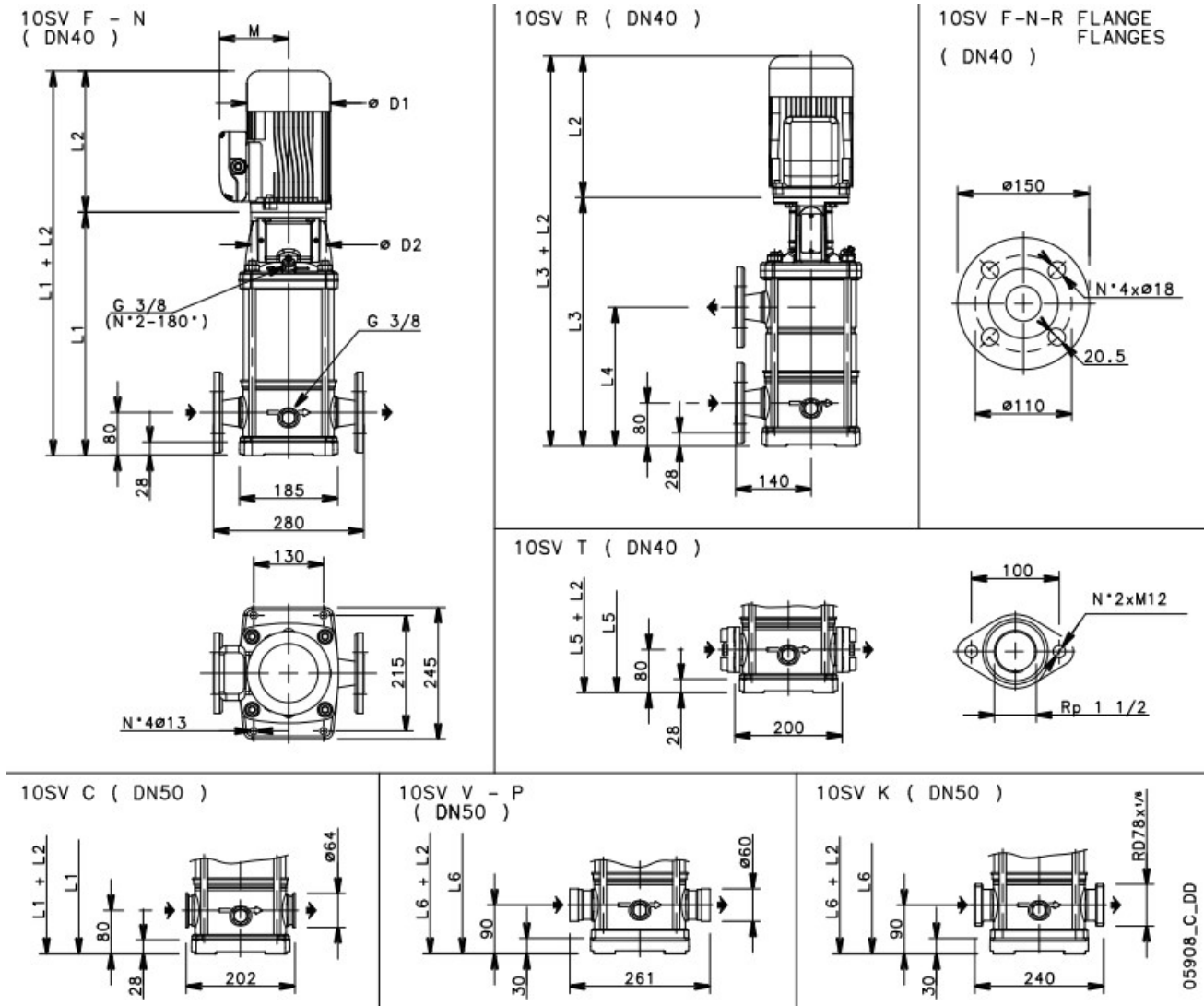
**Fluid and Operating Conditions**

Fluid Type	Density
Water	1,000 kg/m <sup>3</sup>
Fluid Temperature	Dynamic Viscosity
4 °C	0.002 Pa·s
Specific Gravity	Fluid Vapor Pressure
1	8.14 mbar
	Atmospheric Pressure
	1,013.53 mbar
	Elevation
	0 m
	Ambient Temperature
	20 °C
	NPSH Available
	10.27 m
	Submergence
	0 m

**Design Curve**

Rated Speed	BEP
2,900 RPM	70.88 %
Min Flow	BEP Flow
1.39 l/s	2.78 l/s
Max Flow	BEP Head
3.89 l/s	53.81 m
H@QMin	Max Operating Pressure
66.81 m	7,026.3 mbar
H@QMax	Max P2
33.76 m	2.16 kW

## 10SV06F022T/E | Dimensional Data & Drawing



Drawing is preliminary and is subject to change.

### Dimensions

D1	M
174 mm	134 mm
D2	PN
140 mm	16
L1	Weight (Pump Only)
495 mm	19.7 kg
L2	Total Weight
298 mm	37.9 kg

<b>Company</b>	Landscape Watering Systems (LWS) Ltd
<b>Contact</b>	Liam Tinne
<b>Phone No.</b>	01722716969
<b>Email</b>	<a href="mailto:liam@lws.uk.com">liam@lws.uk.com</a>