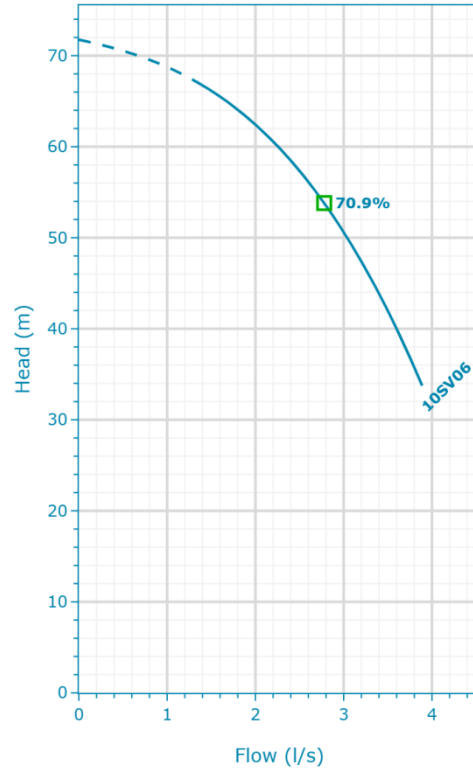


10SV06F022M/D | Configuration Summary



The Lowara e-SV vertical multistage pump is a highly reliable and technologically advanced multipurpose pump. It's capable of satisfying the needs of a wide variety of users and many different construction designs are available. The e-SV range feature models in eleven sizes with 1-3-5-10-15-22-33-46-66-92-125 m³/h nominal capacities.



PUMP

Installation	Pump Size
Complete Pump	10SV

MATERIALS

Pump Body Material	Impeller Material
Stainless Steel (AISI 304)	Stainless Steel (AISI 304)

SEAL

Type of Seal	Rotating Face
Mechanical Seals	Silicon Carbide
Name	Stationary Face
Q1BEGG	Resin Impregnated Carbon
	Elastomers
	EPDM
	Springs
	AISI 316
	Metal Components
	AISI 316
	Min Temperature
	-30.0 °C
	Max Temperature
	120.0 °C

STANDARD OPTIONS

PTC Sensor	Special Configuration
No	Please Select

MOTOR

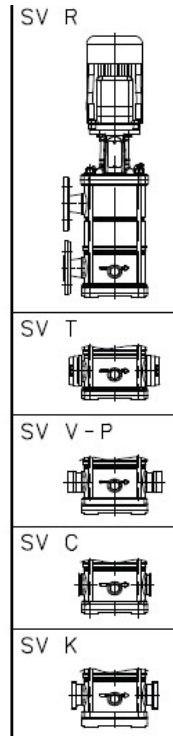
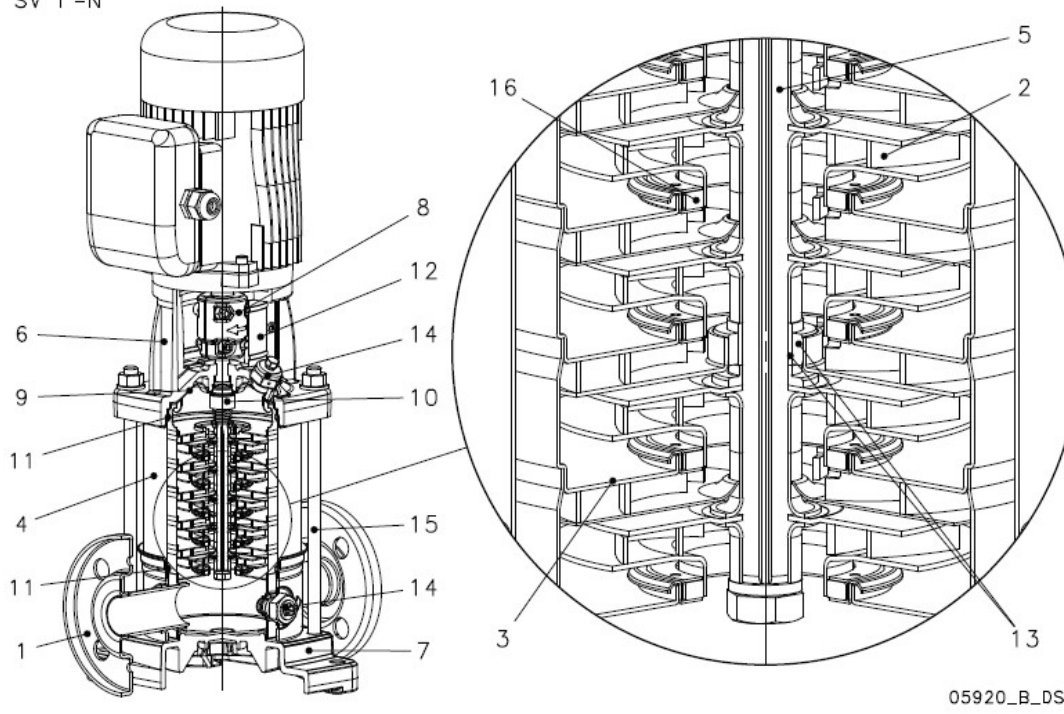
Vendor	Power
Lowara PLM	2.2 kW
Frequency (Hz)	Phase (~)
50	1
Poles	Voltage
2	220-240 V
Efficiency	Frame Size
IE2	112

FLANGE

Flange
[F] = Round Flanges (AISI 304)

10SV06F022M/D | Product Details

SV F-N



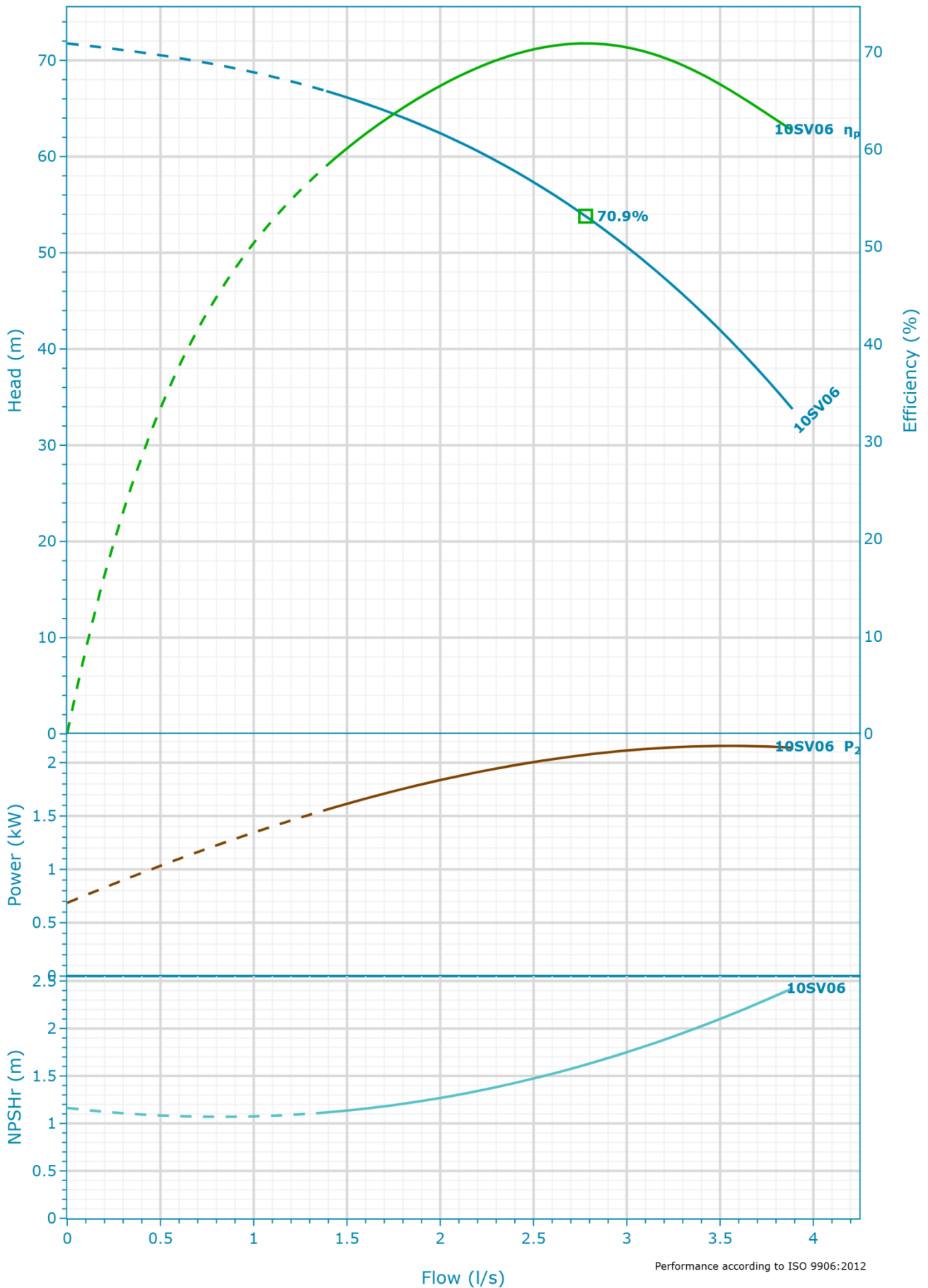
Construction Materials

Pump body (1) Stainless steel / AISI 304	Shaft (5) Stainless steel / AISI 304	Seal housing (9) Stainless steel / AISI 304	Shaft sleeve and bushing (13) Tungsten carbide
Impeller (2) Stainless steel / AISI 304	Adapter (6) Cast Iron / ASTM Class 35	Mechanical seal (10) See Seal section	Fill / Drain plugs (14) Stainless steel / AISI 304
Diffuser (3) Stainless steel / AISI 304	Base (7) Aluminium	Elastomers (11) See Seal section	Tie rods (15) Galvanized steel
Outer sleeve (4) Stainless steel / AISI 304	Coupling (8) Aluminium	Coupling protection (12) Stainless steel / AISI 304	Wear ring (16) Technopolymer PPS

Motor

Motor Name PLM 112 B14 2.2 kW	Phase 1	IE Class IE2	Frame Size 112
Design IM B14	Rated power 2.2 kW	Enclosure IP 55	ICL F
Standard IEC	Speed 2890.0 rpm		
Service Factor 1	Start Mode Directly		
Voltage 220-240 V	Motor Vendor PLM		

10SV06F022M/D | Hydraulic Data & Performance Curve



Selection

Series	Operating Pumps
e-SV	1
Name	Standby Pumps
10SV06 2900rpm	No Standby Pump
Stages	
6	
Frequency	
50 Hz	
Impeller Diameters	
6x 96 mm	
Acceptance Grade	
Manufacturer's Standard	
System Type	
Single Pump	

Fluid and Operating Conditions

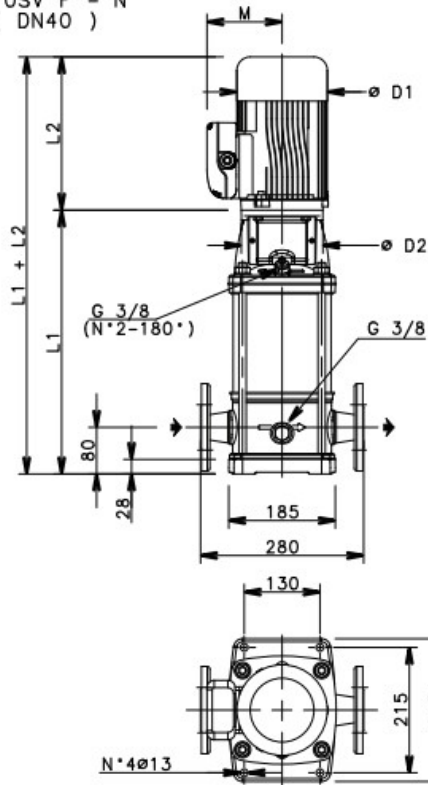
Fluid Type	Density
Water	1,000 kg/m ³
Fluid Temperature	Dynamic Viscosity
4 °C	0.002 Pa·s
Specific Gravity	Fluid Vapor Pressure
1	8.14 mbar
	Atmospheric Pressure
	1,013.53 mbar
	Elevation
	0 m
	Ambient Temperature
	20 °C
	NPSH Available
	10.27 m
	Submergence
	0 m

Design Curve

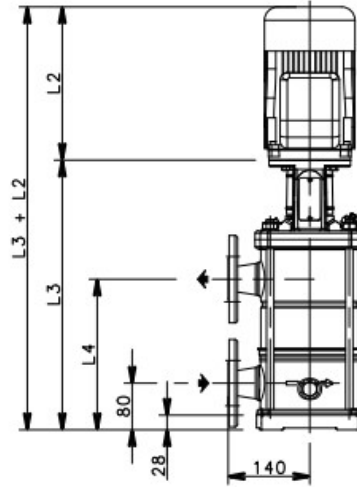
Rated Speed	BEP
2,900 RPM	70.88 %
Min Flow	BEP Flow
1.39 l/s	2.78 l/s
Max Flow	BEP Head
3.89 l/s	53.81 m
H@QMin	Max Operating Pressure
66.81 m	7,026.3 mbar
H@QMax	Max P2
33.76 m	2.16 kW

10SV06F022M/D | Dimensional Data & Drawing

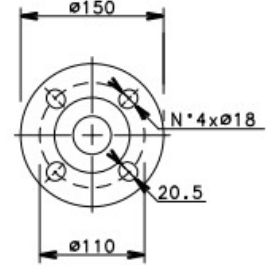
10SV F - N
(DN40)



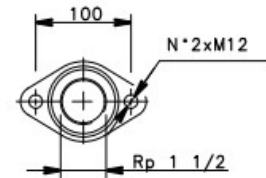
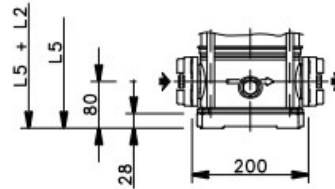
10SV R (DN40)



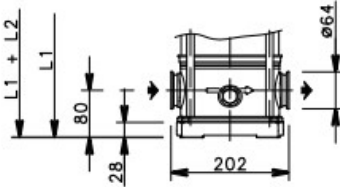
10SV F-N-R FLANGE
FLANGES
(DN40)



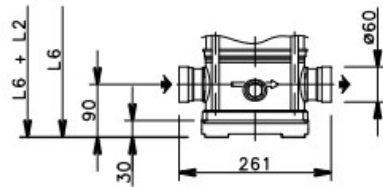
10SV T (DN40)



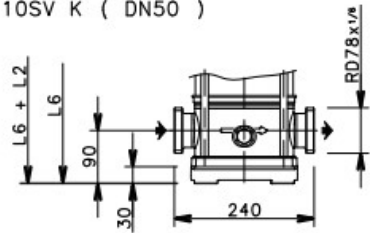
10SV C (DN50)



10SV V - P
(DN50)



10SV K (DN50)



05908_C_DD

Drawing is preliminary and is subject to change.

Dimensions

There is no information available for the given configuration.