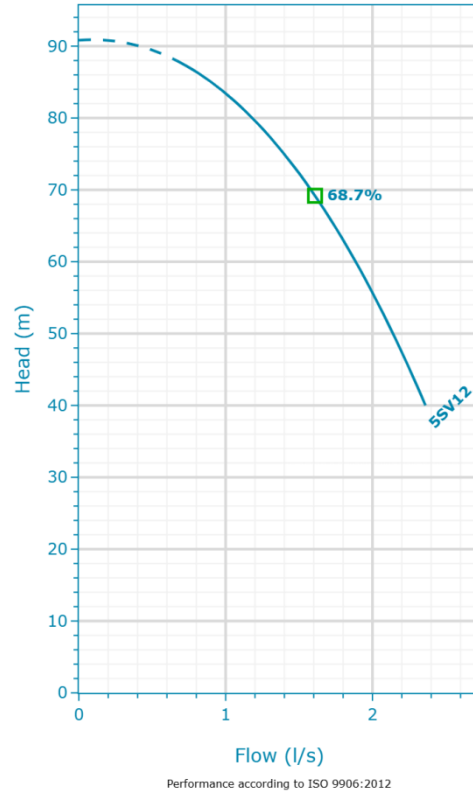


## 5SV12T022T/E | Configuration Summary



The Lowara e-SV vertical multistage pump is a highly reliable and technologically advanced multipurpose pump. It's capable of satisfying the needs of a wide variety of users and many different construction designs are available. The e-SV range feature models in eleven sizes with 1-3-5-10-15-22-33-46-66-92-125 m<sup>3</sup>/h nominal capacities.



### PUMP

|               |           |
|---------------|-----------|
| Installation  | Pump Size |
| Complete Pump | 5SV       |

### MATERIALS

|                            |                            |
|----------------------------|----------------------------|
| Pump Body Material         | Impeller Material          |
| Stainless Steel (AISI 304) | Stainless Steel (AISI 304) |

### SEAL

|                  |                          |
|------------------|--------------------------|
| Type of Seal     | Rotating Face            |
| Mechanical Seals | Silicon Carbide          |
| Name             | Stationary Face          |
| Q1BEGG           | Resin Impregnated Carbon |
|                  | Elastomers               |
|                  | EPDM                     |
|                  | Springs                  |
|                  | AISI 316                 |
|                  | Metal Components         |
|                  | AISI 316                 |
|                  | Min Temperature          |
|                  | -30.0 °C                 |
|                  | Max Temperature          |
|                  | 120.0 °C                 |

### STANDARD OPTIONS

|            |                       |
|------------|-----------------------|
| PTC Sensor | Special Configuration |
| No         | Please Select         |

### MOTOR

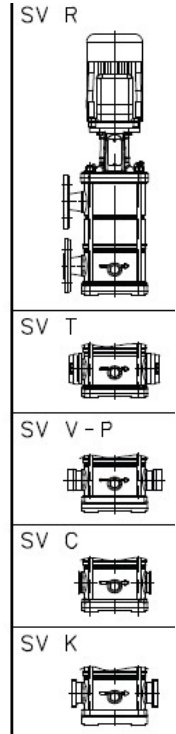
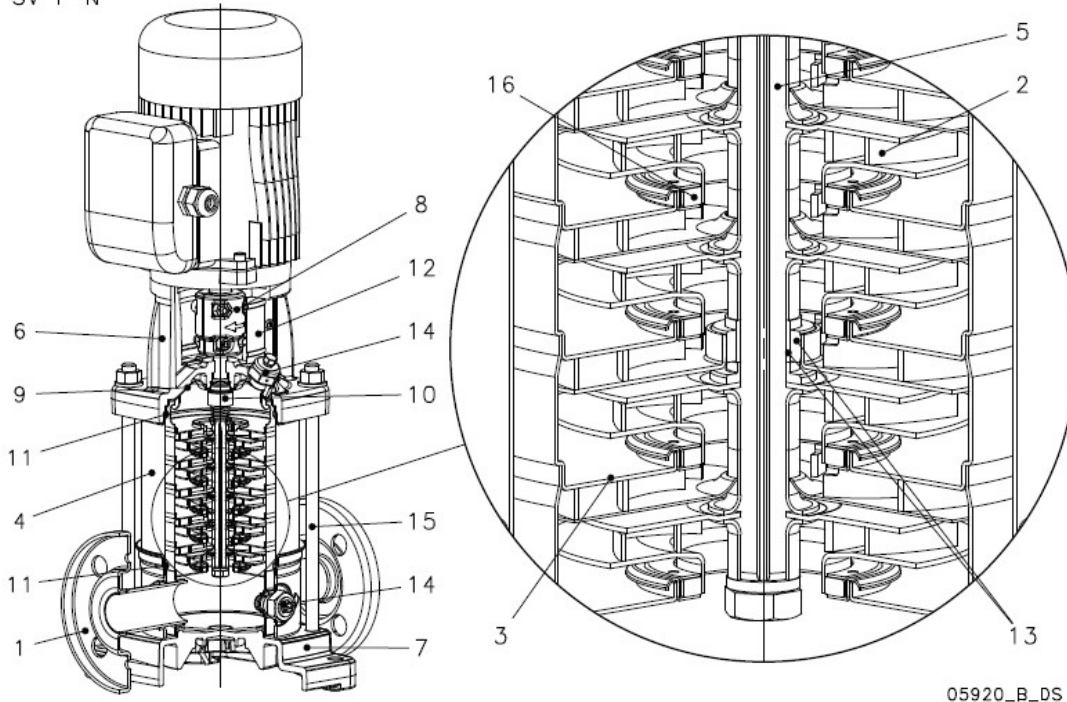
|                 |                   |
|-----------------|-------------------|
| Vendor          | Power             |
| Lowara by Omega | 2.2 kW            |
| Frequency (Hz)  | Phase (~)         |
| 50              | 3                 |
| Poles           | Voltage           |
| 2               | 220-240/380-415 V |
| Efficiency      | Frame Size        |
| IE3             | 90 L              |

### FLANGE

|                               |
|-------------------------------|
| Flange                        |
| [T] = Oval Flanges (AISI 304) |

**5SV12T022T/E** | Product Details

SV F-N



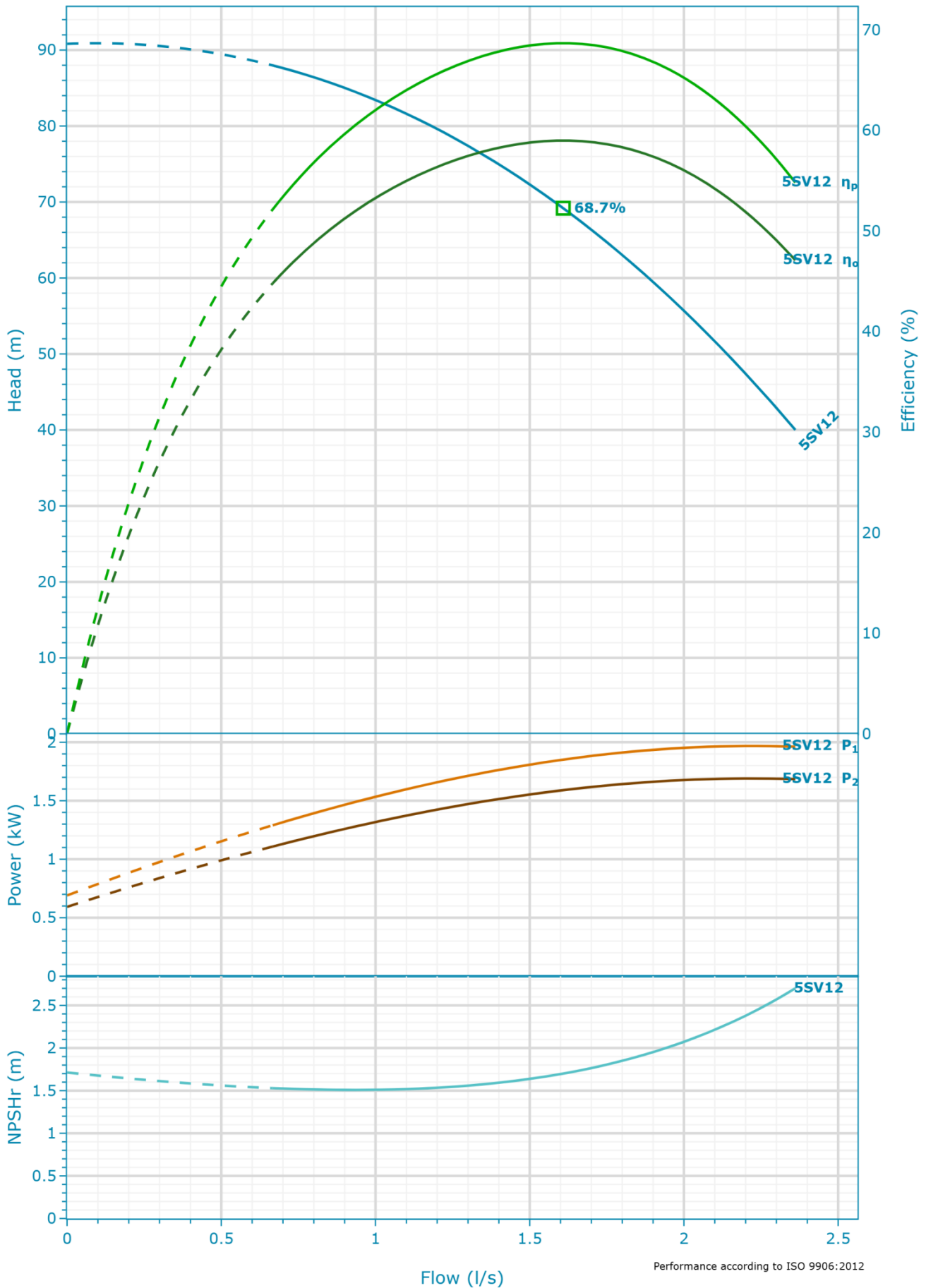
**Construction Materials**

|   |   |   |  |
|---|---|---|--|
| <b>Pump body (1)</b><br>Stainless steel / AISI 304    | <b>Shaft (5)</b><br>Stainless steel / AISI 304  | <b>Seal housing (9)</b><br>Stainless steel / AISI 304         | <b>Shaft sleeve and bushing (13)</b><br>Tungsten carbide     |
| <b>Impeller (2)</b><br>Stainless steel / AISI 304     | <b>Adapter (6)</b><br>Cast Iron / ASTM Class 35 | <b>Mechanical seal (10)</b><br>See Seal section               | <b>Fill / Drain plugs (14)</b><br>Stainless steel / AISI 304 |
| <b>Diffuser (3)</b><br>Stainless steel / AISI 304     | <b>Base (7)</b><br>Aluminium                    | <b>Elastomers (11)</b><br>See Seal section                    | <b>Tie rods (15)</b><br>Galvanized steel                     |
| <b>Outer sleeve (4)</b><br>Stainless steel / AISI 304 | <b>Coupling (8)</b><br>Aluminium                | <b>Coupling protection (12)</b><br>Stainless steel / AISI 304 | <b>Wear ring (16)</b><br>Technopolymer PPS                   |

**Motor**

|   |                                     |                                     |                                 |
|---|-------------------------------------|-------------------------------------|---------------------------------|
| <b>Motor Name</b><br>3MAS 90 L B14 2.2 kW | <b>Phase</b><br>3                   | <b>IE Class</b><br>IE3              | <b>Frame Size</b><br>90 L       |
| <b>Design</b><br>IM B14                   | <b>Rated power</b><br>2.2 kW        | <b>Enclosure</b><br>IP 55           | <b>ICL</b><br>F                 |
| <b>Standard</b><br>IEC                    | <b>Service Factor</b><br>1          | <b>Efficiency (%)</b><br>85.9       | <b>Start Mode</b><br>Star-delta |
| <b>Shaft Diameter</b><br>24 mm            | <b>Voltage</b><br>220-240/380-415 V | <b>cos phi</b><br>0.85              |                                 |
| <b>L Shaft</b><br>50 mm                   | <b>Speed</b><br>2875.0 rpm          | <b>Rated Current</b><br>7.56-4.38 A |                                 |

### 5SV12T022T/E | Hydraulic Data & Performance Curve



Performance according to ISO 9906:2012

**Selection**

|                         |                 |
|-------------------------|-----------------|
| Series                  | Operating Pumps |
| e-SV                    | 1               |
| Name                    | Standby Pumps   |
| 5SV12 2900rpm           | No Standby Pump |
| Stages                  |                 |
| 12                      |                 |
| Frequency               |                 |
| 50 Hz                   |                 |
| Impeller Diameters      |                 |
| 12x 76 mm               |                 |
| Acceptance Grade        |                 |
| Manufacturer's Standard |                 |
| System Type             |                 |
| Single Pump             |                 |

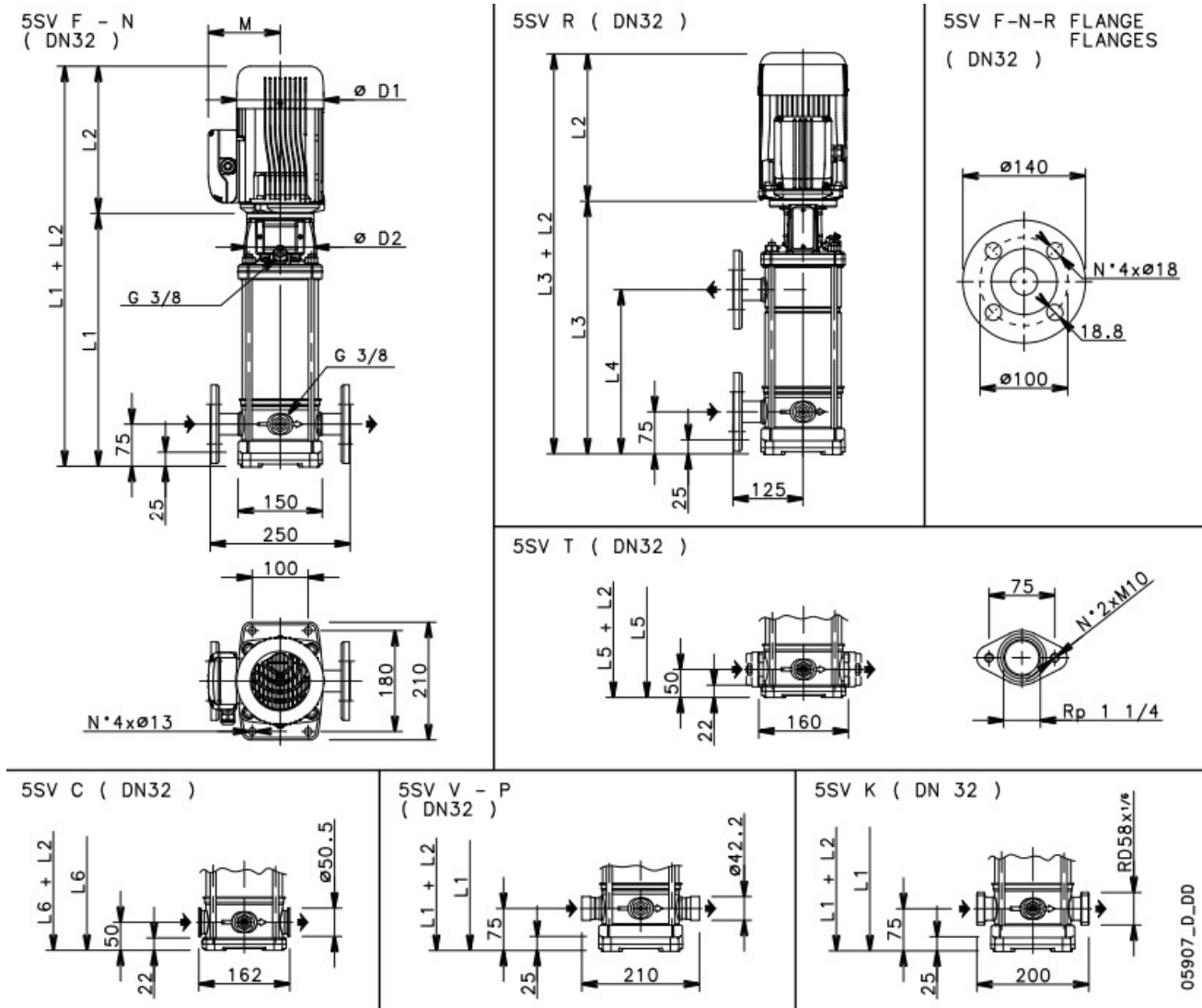
**Fluid and Operating Conditions**

|                   |                         |
|-------------------|-------------------------|
| Fluid Type        | Density                 |
| Water             | 1,000 kg/m <sup>3</sup> |
| Fluid Temperature | Dynamic Viscosity       |
| 4 °C              | 0.002 Pa·s              |
| Specific Gravity  | Fluid Vapor Pressure    |
| 1                 | 8.14 mbar               |
|                   | Atmospheric Pressure    |
|                   | 1,013.53 mbar           |
|                   | Elevation               |
|                   | 0 m                     |
|                   | Ambient Temperature     |
|                   | 20 °C                   |
|                   | NPSH Available          |
|                   | 10.27 m                 |
|                   | Submergence             |
|                   | 0 m                     |

**Design Curve**

|             |                        |
|-------------|------------------------|
| Rated Speed | BEP                    |
| 2,900 RPM   | 68.67 %                |
| Min Flow    | BEP Flow               |
| 0.67 l/s    | 1.61 l/s               |
| Max Flow    | BEP Head               |
| 2.36 l/s    | 69.18 m                |
| H@QMin      | Max Operating Pressure |
| 87.98 m     | 8,901.01 mbar          |
| H@QMax      | Max P2                 |
| 40.01 m     | 1.69 kW                |

**5SV12T022T/E** | Dimensional Data & Drawing



Drawing is preliminary and is subject to change.

**Dimensions**

|        |                    |
|--------|--------------------|
| D1     | M                  |
| 174 mm | 134 mm             |
| D2     | PN                 |
| 140 mm | 16                 |
| L2     | Weight (Pump Only) |
| 298 mm | 14.1 kg            |
| L5     | Total Weight       |
| 513 mm | 32.3 kg            |