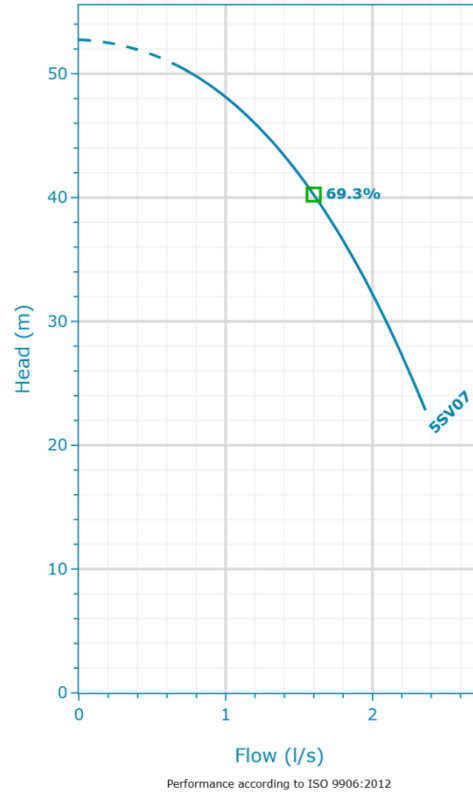


5SV07F011T/D | Configuration Summary



The Lowara e-SV vertical multistage pump is a highly reliable and technologically advanced multipurpose pump. It's capable of satisfying the needs of a wide variety of users and many different construction designs are available. The e-SV range feature models in eleven sizes with 1-3-5-10-15-22-33-46-66-92-125 m³/h nominal capacities.



PUMP

Installation	Pump Size
Complete Pump	5SV

MATERIALS

Pump Body Material	Impeller Material
Stainless Steel (AISI 304)	Stainless Steel (AISI 304)

SEAL

Type of Seal	Rotating Face
Mechanical Seals	Silicon Carbide
Name	Stationary Face
Q1BEGG	Resin Impregnated Carbon
	Elastomers
	EPDM
	Springs
	AISI 316
	Metal Components
	AISI 316
	Min Temperature
	-30.0 °C
	Max Temperature
	120.0 °C

STANDARD OPTIONS

PTC Sensor	Special Configuration
No	Please Select

MOTOR

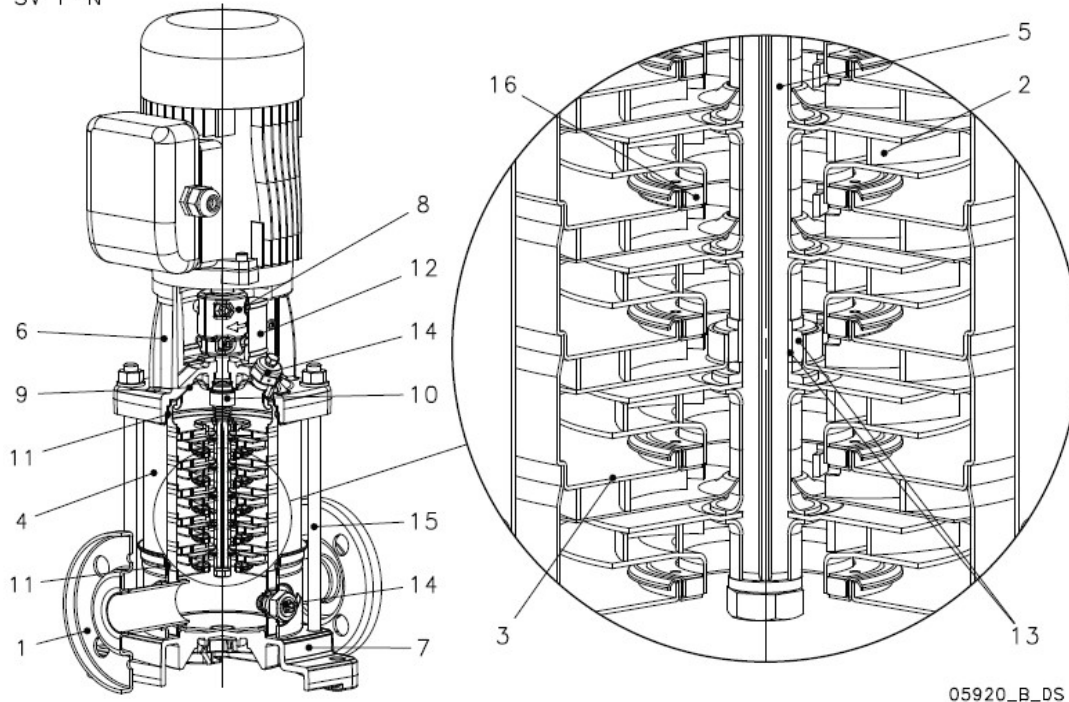
Vendor	Power
Lowara SM	1.1 kW
Frequency (Hz)	Phase (~)
50	3
Poles	Voltage
2	220-240/380-415 V
Efficiency	Frame Size
IE3	80

FLANGE

Flange
[F] = Round Flanges (AISI 304)

5SV07F011T/D | Product Details

SV F-N



05920_B_DS

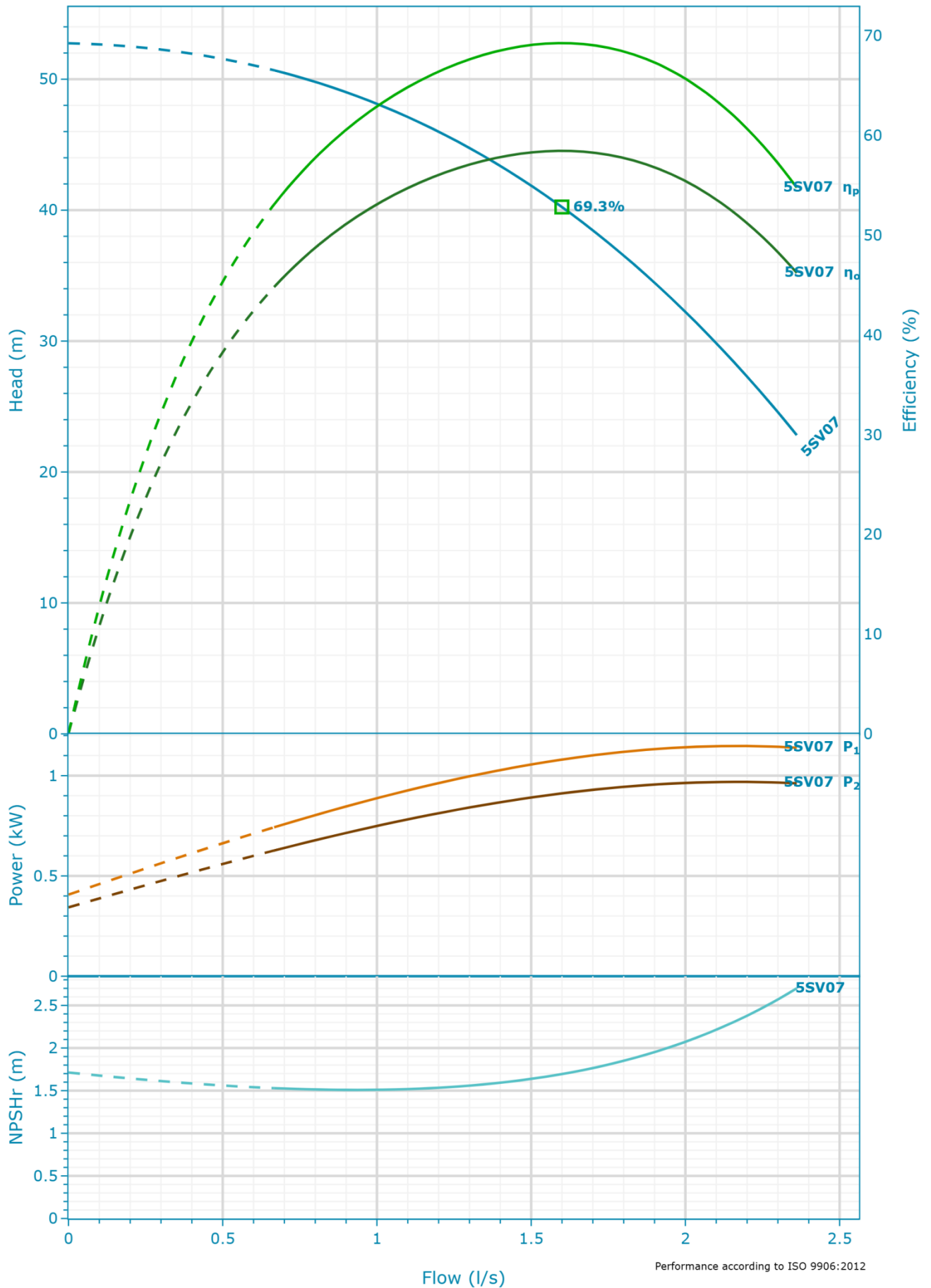
Construction Materials

Pump body (1) Stainless steel / AISI 304	Shaft (5) Stainless steel / AISI 304	Seal housing (9) Stainless steel / AISI 304	Shaft sleeve and bushing (13) Tungsten carbide
Impeller (2) Stainless steel / AISI 304	Adapter (6) Cast Iron / ASTM Class 35	Mechanical seal (10) See Seal section	Fill / Drain plugs (14) Stainless steel / AISI 304
Diffuser (3) Stainless steel / AISI 304	Base (7) Aluminium	Elastomers (11) See Seal section	Tie rods (15) Galvanized steel
Outer sleeve (4) Stainless steel / AISI 304	Coupling (8) Aluminium	Coupling protection (12) Stainless steel / AISI 304	Wear ring (16) Technopolymer PPS

Motor

Motor Name SM 80 B14 1.1 kW	Phase 3	IE Class IE3	Frame Size 80
Design IM B14	Rated power 1.1 kW	Enclosure IP 55	ICL F
Standard IEC	Service Factor 1	Efficiency (%) 84.4	Start Mode Star-delta
Shaft Diameter 19 mm	Voltage 220-240/380-415 V	cos phi 0.79	Motor Vendor SM
L Shaft 40 mm	Speed 2870.0 rpm	Rated Current 4.14-2.39 A	

5SV07F011T/D | Hydraulic Data & Performance Curve



Selection

Series	Operating Pumps
e-SV	1
Name	Standby Pumps
5SV07 2900rpm	No Standby Pump
Stages	
7	
Frequency	
50 Hz	
Impeller Diameters	
7x 76 mm	
Acceptance Grade	
Manufacturer's Standard	
System Type	
Single Pump	

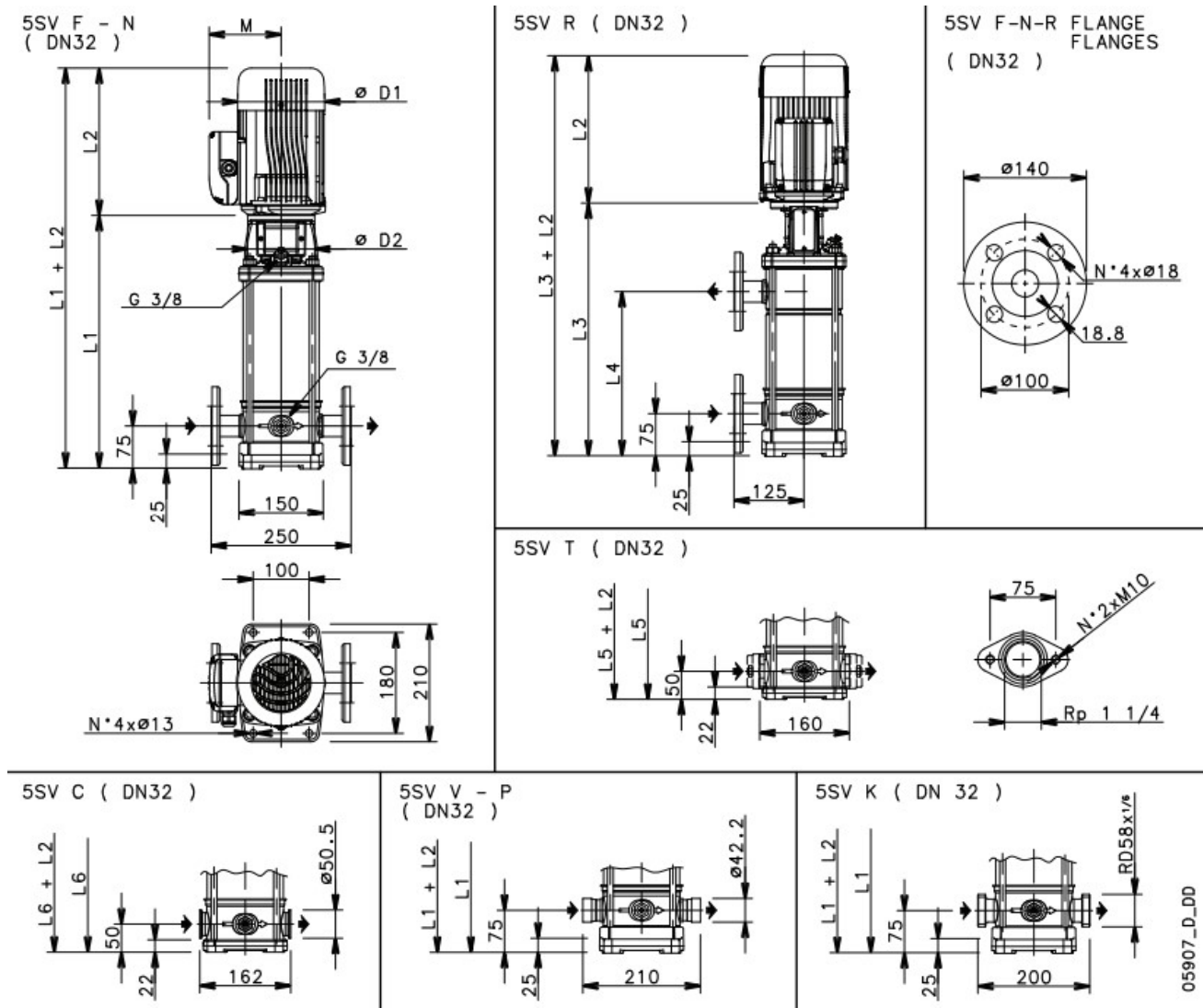
Fluid and Operating Conditions

Fluid Type	Density
Water	1,000 kg/m ³
Fluid Temperature	Dynamic Viscosity
4 °C	0.002 Pa·s
Specific Gravity	Fluid Vapor Pressure
1	8.14 mbar
	Atmospheric Pressure
	1,013.53 mbar
	Elevation
	0 m
	Ambient Temperature
	20 °C
	NPSH Available
	10.27 m
	Submergence
	0 m

Design Curve

Rated Speed	BEP
2,900 RPM	69.28 %
Min Flow	BEP Flow
0.67 l/s	1.6 l/s
Max Flow	BEP Head
2.36 l/s	40.24 m
H@QMin	Max Operating Pressure
50.68 m	5,165.08 mbar
H@QMax	Max P2
22.82 m	0.97 kW

5SV07F011T/D | Dimensional Data & Drawing



Drawing is preliminary and is subject to change.

Dimensions

D1	M
155 mm	129 mm
D2	PN
120 mm	16
L1	Weight (Pump Only)
403 mm	11.5 kg
L2	Total Weight
263 mm	22.9 kg