

Technical data sheet

Type 236

Pipe interrupter Type DB

Applications and special features



- The Pipe interrupter with vent and moving element type DB is a protection device for the fluids of category 4 without downstream counter pressure. This device insures a protection against back siphonage connecting to the atmosphere, however this devices is not made for protection against back pressure. The flow of the water is in a vertical downward direction.
- Pipe interrupter with vent and moving element type DB means a mechanical backflow prevention device with an air inlet closed by a moving element when the device is in normal use but which opens and admits air if the water pressure upstream of the device falls to atmospheric pressure.

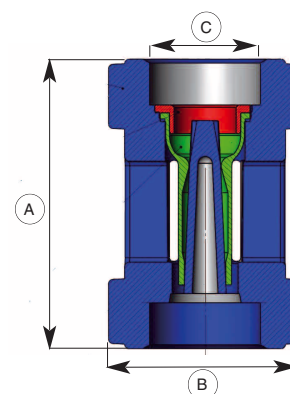
Technical description

DN "	DN mm	Reference	Vvs-n
3/4	20	149B3581	

- **Connection** : Female/Female 3/4" BSP
 - **Permissible operating pressure PFA - water-** : 10 bar
 - **T° maxi** : 65°C
 - **Mediums** : Clear water
 - **Approvals** : NF Antipollution - ACS (France)
 - **International construction Standards** : EN 1717 - EN 14452
- Thread connection according to NF E 03-005- ISO 228

Overall dimensions

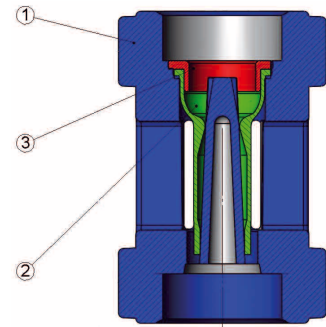
DN C		A	B	Weight
"	mm	mm	mm	Kg
3/4	20	63	42	0,45



Technical data sheet Type 236 - Pipe interrupter DB

Spare parts list and materials

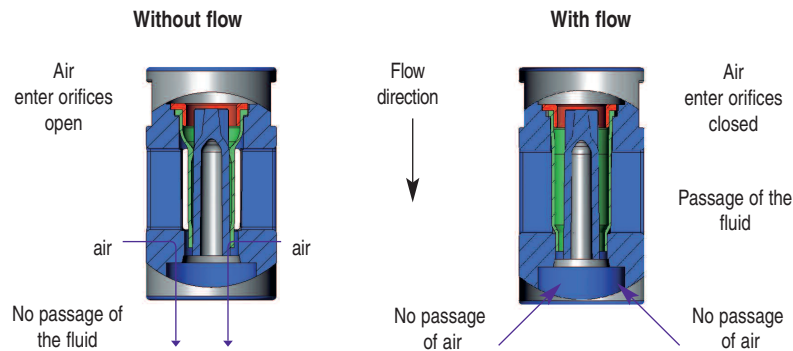
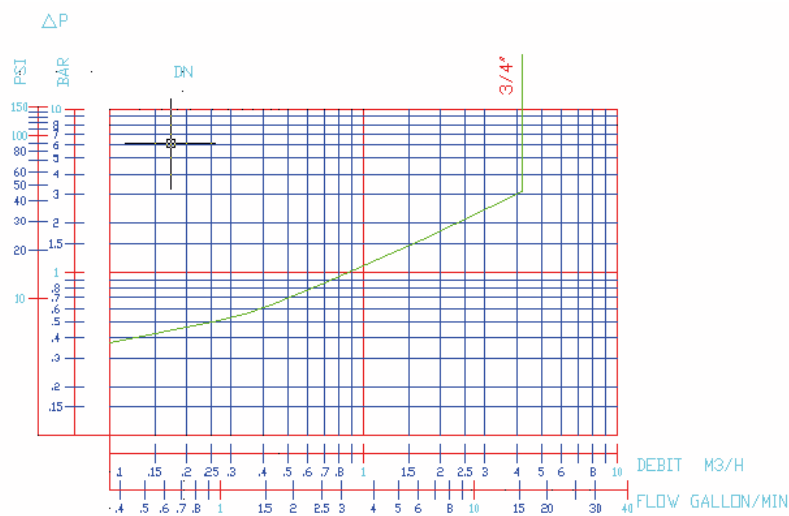
Nr	Description	Materials	EURO	ANSI
1	CASING	PPO		
2	MEMBRANE	Silicone		
3	RING	POM (polyacetal)		



Installation and maintenance

Operating position: vertical descending only

Working principle



Danfoss can accept no responsibility for possible errors in catalogue, brochures and other printed material. Danfoss reserve the right to alter its products without notice. This also applies to products already agreed. All trademarks in this material are the property of the respective companies. Danfoss and the logo type are trademarks of Danfoss A/S. All right reserved.